

# TCS950 交流/直流電源用避雷器系列

TCS950 Alternate/Direct Current Surge-Protector Series  
專用於各電力設備、自來水廠，太陽能光電交直流電力系統防護~

## OILFIELD ARRESTORS 交流 LA603AC

Rapid Response, High Current Delta Arrestors™ For Industrial Use Help Prevent Voltage Surge And Lightning Damage To Motose And Control Equipment.

|  |                        |
|--|------------------------|
| Type of design                           | Silicon Oxide Varistor |
| Maximum current                          | 100,000 amps           |
| Maximum energy                           | 3000 joules            |
| Maximum number of surges                 | Unlimited              |
| Response time one milliamp test          | 5 nanoseconds          |
| Response time to clamp 10,000 amps       | 10 nanoseconds         |
| Response time to clamp 50,000 amps       | 25 nanoseconds         |
| Leak current at double the rated voltage | none                   |
| Leads                                    | 36" #12 THHN           |
| Case material                            | PVC                    |
| Locknut and Washer furnished             |                        |



CASE DIMENSIONS : 4 1/2" High  
2 1/4" Diameter

## DIRECT CURRENT ARRESTOR 直流 LA602DC

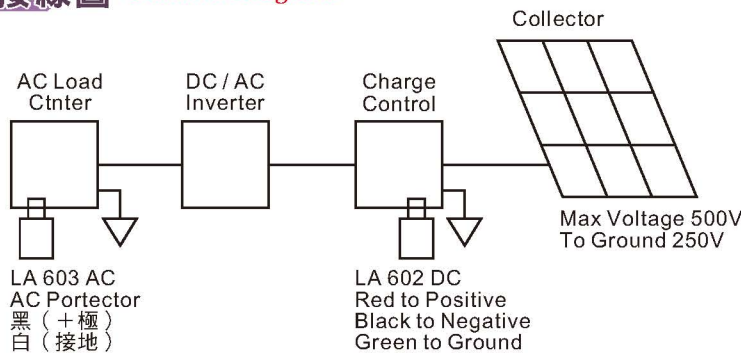
Silicon Oxide Arrestor For Photovoltaic And Other Limited Current DC Applications

|  |                        |
|--|------------------------|
| Type of design                           | Silicon Oxide Varistor |
| Maximum current                          | 600,000 amps           |
| Maximum energy                           | 2000 joules per line   |
| Maximum number of surges                 | Unlimited              |
| Response time one milliamp test          | 5 nanoseconds          |
| Response time to clamp 10,000 amps       | 10 nanoseconds         |
| Response time to clamp 50,000 amps       | 25 nanoseconds         |
| Leak current at double the rated voltage | none                   |
| Leads                                    | 3 18" #12 THHN         |
| Case material                            | PVC                    |
| Locknut and Washer furnished             |                        |



Weatherproof Enclosure  
Dimensions : 2 1/4" High  
2 1/4" Diameter

## 接線圖 Connect Diagram



## 訂購型號 Ordering Information

TCS950 LA - 代碼1 - 代碼2 - 代碼3

|      |       |   |      |            |   |      |              |   |
|------|-------|---|------|------------|---|------|--------------|---|
| 輸入種類 | 603AC | A | 電壓範圍 | AC440~660V | 1 | 系統接線 | 3φ3W<br>3φ4W | 1 |
|      | 602DC | D |      | DC0~600V   | 2 |      | 二線式          | 2 |

## Conduction Characteristics

|       |                                |      |      |       |       |       |               |       |
|-------|--------------------------------|------|------|-------|-------|-------|---------------|-------|
| 耐突波電壓 | LA602DC                        | 240V | 480V | 840V  | 1300V | 2000V |               |       |
|       | LA603                          | 450V | 920V | 1040V | 1500V | 2300V | 4000V         | 5000V |
| 釋放電流  | DC                             | 5KA  | 10KA | 20KA  | 40KA  | 60KA  |               |       |
|       |                                | 5KA  | 10KA | 20KA  | 40KA  | 60KA  | 80KA          | 100KA |
|       | Unlimited Number of Operations |      |      |       |       |       | One Operation |       |

DELTA LIGHTNING ARRESTORS, INC.

P.O. BOX 750  
BIG SPRING, TEXAS 79721

