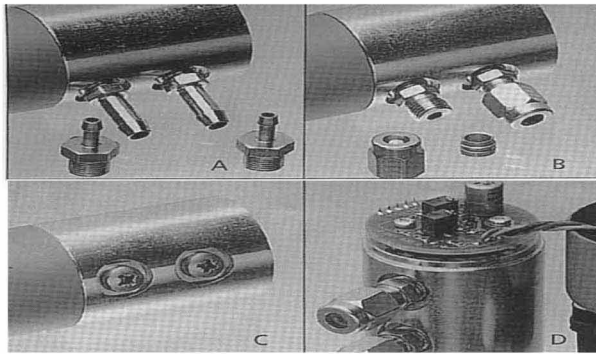


TCS5708 差壓壓力傳送器



- A - 快速連接器
4/6 mm管徑
- B - 螺絲固定
- C - 洩放螺絲
- D - 歸零放大倍率
可調整

特點

- 差壓壓力傳送器，使用最新精密陶瓷技術測量 Sensor 放大訊號，產生標準電壓電流訊號。
- 各種特性應用的壓力及電氣連接樣式可提供。
- 極低溫度靈敏度。
- 無機械壽命使用年限問題。

結構圖

1. 較高壓力 / 較低真空
2. 較低壓力 / 較高真空
3. 密封墊
4. 陶瓷元件
5. 洩放螺絲

壓力範圍

0.....25 bar
參考訂購編號

過載壓力

參考訂購編號

系統壓力

壓力範圍 10 bar
系統壓力 Max. 25 bar
壓力範圍 16/25 bar
系統壓力 2 倍壓力範圍
(P1,P2 同時存在)

破裂壓力

過載壓力 × 2 倍

精密度

Linearity < +/- 0.5 %fs
Hysteresis < +/- 0.5 %fs
Zero point at < 50 mV
Voltage OUTPUT

媒體接解材質

陶瓷 / 不鏽鋼 1.4305, 銅, PTFE
密度墊材質: 選擇 Viton, EPDM
NBR, silicone, CR

溫度影響

媒體與週圍溫度 -15°C 至 80°C
零點飄移根據訂購編號選擇
< ±0.04 %fs/ °C
< ±0.06 %fs/ °C
< ±0.1 %fs/ °C
TC 靈敏度
< ±0.015 fs/ °C typically.

負載頻率

< 50 Hz

動態反應

適合靜態與動態測試，
反應時間 < 5 msec

壓力連接

PUSH - ON 接頭或
螺絲快速接頭

重量

Approx. 430 公克

安裝位置

無限制

訊號

電源供應

0 - 10 V	18 - 33 VDC
0 - 20 mA	3 - wire cable 24 VAC +/- 10% 3 - wire cable
4 - 20 mA	11 - 33 VDC 2 - wire cable

短路保護，極性相反保護。

負載

0 - 10 V	>10 Kohms
0 - 20 mA	>300 Kohms
4 - 20 mA	$\leq \frac{\text{Supply Voltage}}{20 \text{ mA}}$ Kohms

電源消耗

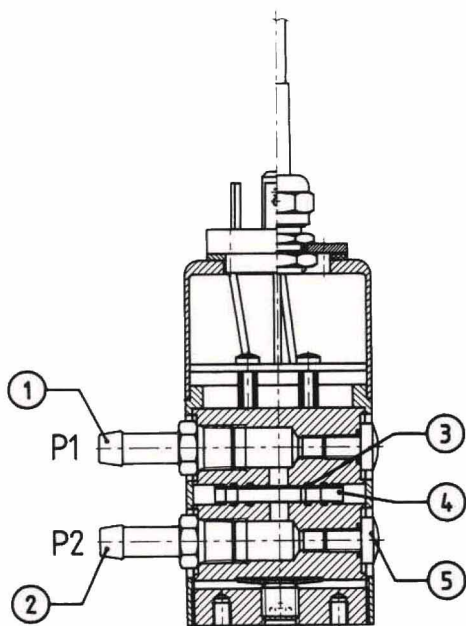
0 - 10 V	< 5 mA	最大信號
0 - 20 mA	< 25 mA	
4 - 20 mA	< 20 mA	

電氣連接保護級數

延長線 1.5 meters, IP 65
DIN 連接座 43650-A IP 65

校正

Zero point/slope
approx ±10 % 可調整



主要規格 Specifications

TCS5708

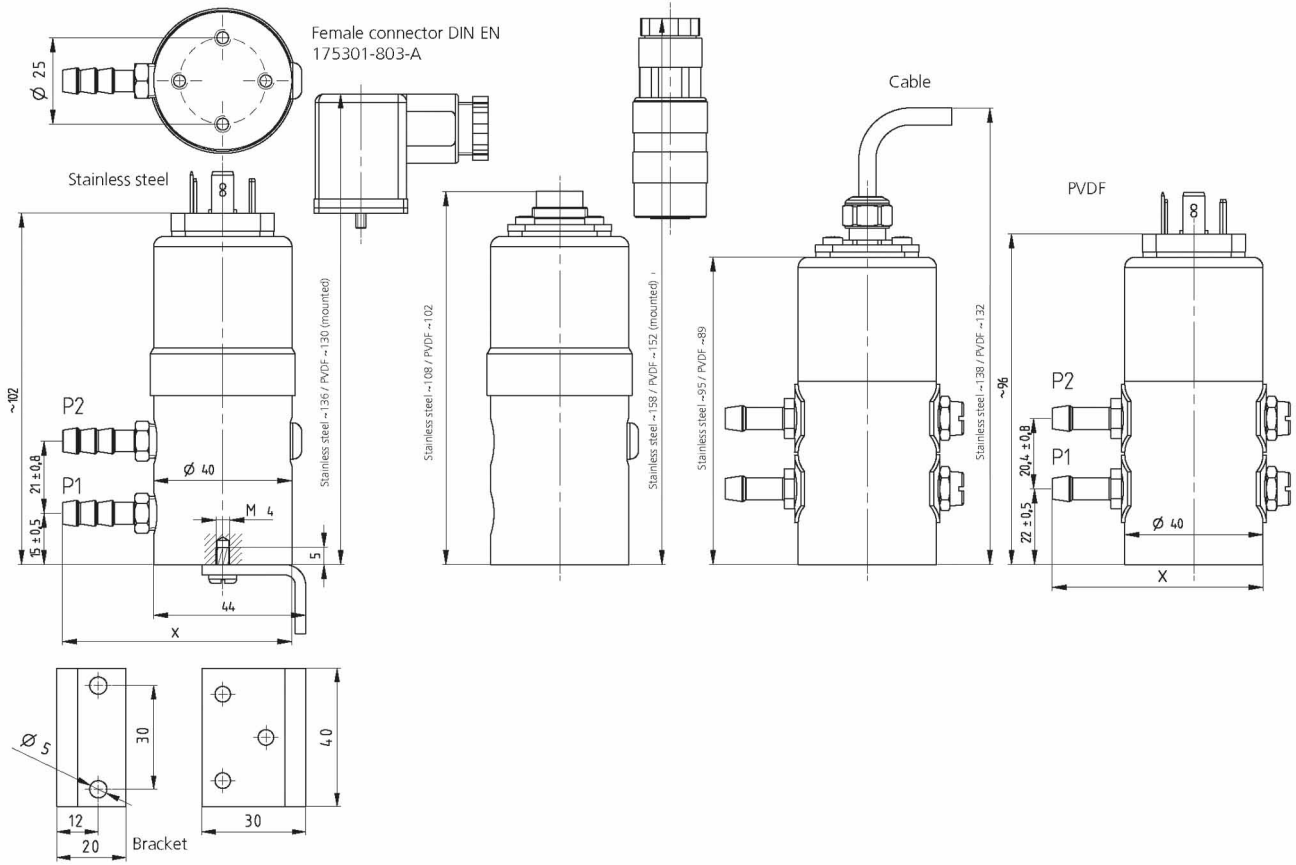
Order code selection table				TCS5708- X X X X X X X X X X																	
Pressure range ²⁾		Tolerable overload on one side		TC z.p. (fs/10K)																	
		P1	P2																		
0 ... + 0.1 bar	max. 0.6 bar	(6 x Nominal pressure)	0.6 bar	± 1.2 %	0	0															
0 ... + 0.2 bar	max. 1.2 bar	(6 x Nominal pressure)	1.2 bar	± 1.2 %	0	2															
0 ... + 0.2 bar	max. 0.6 bar	(3 x Nominal pressure)	0.6 bar	± 0.6 %	4	0															
0 ... + 0.25 bar	max. 1.2 bar	(4.8 x Nominal pressure)	1.2 bar	± 1.0 %	0	3															
0 ... + 0.25 bar	max. 0.6 bar	(2.4 x Nominal pressure)	0.6 bar	± 0.5 %	4	1															
0 ... + 0.3 bar	max. 0.6 bar	(2 x Nominal pressure)	0.6 bar	± 0.4 %	0	1															
0 ... + 0.4 bar	max. 1.2 bar	(3 x Nominal pressure)	1.2 bar	± 0.6 %	0	4															
0 ... + 0.4 bar	max. 2 bar	(5 x Nominal pressure)	2 bar	± 1.0 %	0	5															
0 ... + 0.5 bar	max. 1.2 bar	(2.4 x Nominal pressure)	1.2 bar	± 0.5 %	0	6															
0 ... + 0.5 bar	max. 3 bar	(6 x Nominal pressure)	3 bar	± 0.8 %	0	7															
0 ... + 0.6 bar	max. 1.2 bar	(2 x Nominal pressure)	1.2 bar	± 0.4 %	0	8															
0 ... + 0.6 bar	max. 3 bar	(5 x Nominal pressure)	3 bar	± 0.7 %	0	9															
0 ... + 1 bar	max. 2 bar	(2 x Nominal pressure)	2 bar	± 0.4 %	1	1															
0 ... + 1 bar	max. 5 bar	(5 x Nominal pressure)	5 bar	± 1.0 %	1	2															
0 ... + 1.6 bar	max. 3.2 bar	(2 x Nominal pressure)	3.2 bar	± 0.4 %	1	3															
0 ... + 1.6 bar	max. 12 bar	(7.5 x Nominal pressure)	12 bar	± 1.0 %	1	4															
0 ... + 2.5 bar	max. 5 bar	(2 x Nominal pressure)	5 bar	± 0.4 %	1	5															
0 ... + 2.5 bar	max. 12 bar	(4.8 x Nominal pressure)	12 bar	± 0.6 %	1	6															
0 ... + 4 bar	max. 8 bar	(2 x Nominal pressure)	8 bar	± 0.4 %	1	7															
0 ... + 4 bar	max. 12 bar	(3 x Nominal pressure)	12 bar	± 0.5 %	1	8															
0 ... + 6 bar	max. 12 bar	(2 x Nominal pressure)	12 bar	± 0.4 %	1	9															
0 ... + 10 bar	max. 20 bar	(2 x Nominal pressure)	20 bar	± 0.4 %	3	0															
0 ... + 16 bar	max. 32 bar	(2 x Nominal pressure)	32 bar	± 0.4 %	3	1															
0 ... + 25 bar	max. 50 bar	(2 x Nominal pressure)	50 bar	± 0.4 %	3	2															
▲ Fullscale signal at these pressures																					
Sealing material	FPM	Fluoro elastomer				0															
	EPDM	Ethylene propylene				1															
	NBR	Butadiene Acrylonitrile				2															
	MVQ	Silicone polymer				3															
Adjustment	Factory					0															
Output / power supply	0 ... 5 V	11 ... 33 VDC / 24 VAC ±15%					0														
	0 ... 10 V	18 ... 33 VDC / 24 VAC ±15%					1														
	4 ... 20 mA	11 ... 33 VDC					7														
	riatom. 10 ... 90%	5 VDC ±5%					9														
Electrical connection	Cable 1.5 m, PG7							0													
	Connector ³⁾	DIN EN 175301-803-A						1													
	Connector ³⁾	DIN EN 60130-9						3													
Pressure connection	Inside thread	Stainless steel 1/8"-27 NPT or PVDF G 1/8"						0													
	Hose connection	CuZn nickel plated	for tube inside Ø 4 mm					1													
	Hose connection	Stainless steel 1.4571 / AISI 316Ti	for tube inside Ø 4 mm					E													
	Hose connection	CuZn nickel plated	for tube inside Ø 6 mm					2													
	Hose connection	PVDF	for tube inside Ø 6 mm					3	2												
	Hose connection	Stainless steel 1.4571 / AISI 316Ti	for tube inside Ø 6 mm					D													
	Screw fitting	CuZn nickel plated	for pipe outside Ø 6 mm					4													
	Screw fitting	Stainless steel 1.4305 / AISI 303	for pipe outside Ø 6 mm					5													
	Screw fitting	PVDF	for pipe outside Ø 6 mm					8	2												
	Screw fitting	CuZn nickel plated	for pipe outside Ø 8 mm					6													
	Screw fitting	Stainless steel 1.4305 / AISI 303	for pipe outside Ø 8 mm					7													
	Screw fitting	PVDF	for pipe outside Ø 8 mm					9	2												
	Outside thread	7/16"-20 UNF CuZn nickel plated						A													
	Adapter inside	G 1/8" Stainless steel 1.4305 / AISI 303						B													
	Adapter outside	G 1/8" CuZn nickel plated	with union nut					C													
Case	Stainless steel	1.4305 / AISI 303							1												
	PVDF all ranges up to 6 bar max., overload on one side and system pressure max. 12 bar								2												
	Stainless steel with pressure tip orifice								4												
	Stainless steel, free of oil and grease (only seal FPM, not compound-filled)								5												
	Stainless steel with pressure tip orifice, free of oil and grease (only seal FPM, not compound-filled)								6												
Pressure range variation	Indicate W and state range on order (e.g.: W0... + 8bar/OUT1...6V)											W									

Accessories		
		Order number
Female connector DIN EN 175301-803-A with seal	IP 65, when installed and screwed	103510
Female connector DIN EN 60130-9	IP 65, when installed and screwed	103524
Mounting bracket incl. screws		101999
Calibration certificate		104551

¹⁾ TC = Temperature coefficient ²⁾ Delivery without female connector

TCS5708

Female Connector
DIN EN 60130-9



	Stainless steel 1.4305	Screw fitting for pipe outside Ø 6	L~24	a=10
	AISI 303	Screw fitting for pipe outside Ø 8	X~65	b=12
	Stainless Steel 1.4305	Inside thread G 1/8	L~12	a=14
	AISI 303		X~53	
	CuZn nickel plated	Screw fitting for pipe outside Ø 6	L~24	a=10
		Screw fitting for pipe outside Ø 8	L~25	a=12
	CuZn nickel plated	Screw fitting for pipe outside Ø 8	X~66	b=14
	CuZn nickel plated	Hose connection for tube Ø 4	L~20	a=10
		Stainless steel 1.4571		
	AISI 316Ti	Hose connection for tube Ø 6	L~25	a=10
			X~66	
	CuZn nickel plated	Outside thread G 1/8	L~20	a=10
			X~61	b=12
	CuZn nickel plated	Outside thread 7/16-20 UNF	L~18	a=14
			X~59	
	PVDF	Screw fitting for pipe Ø 6	L~20	a=12
		Screw fitting for pipe Ø 8	X~61	b=12
	PVDF	Screw fitting for pipe Ø 8	L~23	a=14
			X~64	
	PVDF	Hose connection for tube Ø 6	L~20	a=10
			X~61	

