

TCS6300 EL1000+WL500 系列 電磁式流量計

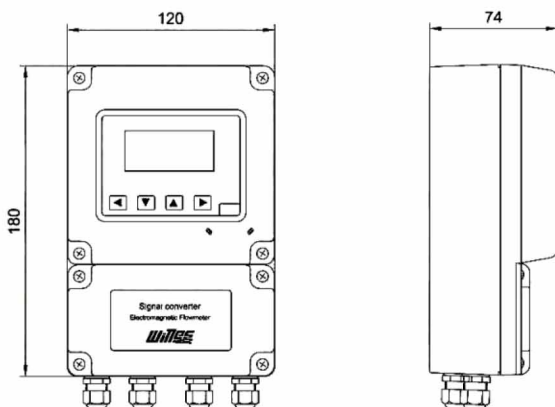
SERIES Electromagnetic Flowmeter



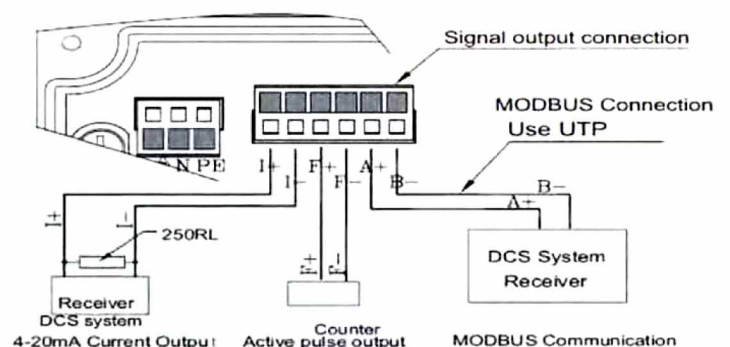
特點 Features

- Design with circuit lightning protection. High anti-interference circuit, apply to varieties of harsh environments.
- Provide sensors with zero-revision and back to zero with automatic function.
- With low conductivity function of measurement.
- Using electric capacitive technology with hollow and full pipe technology of detection to prevent the emergence from false alarms.
- With the consistency of exchange converter, there is no need to re-enter the parameters.
- Multiple output interface of communication could choose
 - hart communications (option)
 - RS485 (Modbus Option) the interface of communication.
 - profibus (option)
- With self-diagnostic function
- anti-covering
- Multi points calibration of correspond flowrate correspond with 4-segment velocity correspond to correction.

外觀尺寸 Dimensions



感測器信號連接 Sensor signal connection





主要規格 Specifications

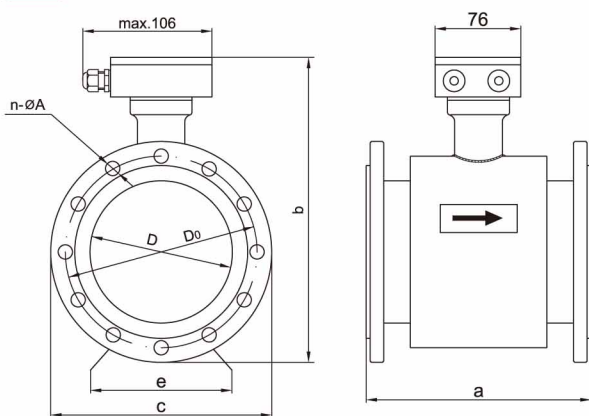
- Size : 6, 10, 15, 20, 25, 32, 40, 50, 65, 80, 100, 125
150, 200, 250, 300, 350, 400, 450, 500, 600
700, 800, 900, 1000, 1200, 1400, 1600, 1800, 2000 mm
- Measuring Rang : Velocity 0-0.1 m/s min. (+/-0.5%)
0,1-12 m/s max. (+/-0.5%)
or (+/-0.2%) Option
- Material
Measuring Tube :Stainless Steel 304
Flange : Carbon Steel (standard)
Stainless Steel 304(Optional)
Stainless Steel 316(Optional)
Coil Housing : Carbon Steel (standard)
Stainless Steel 304(Optional)
Stainless Steel 316(Optional)

特點 Features

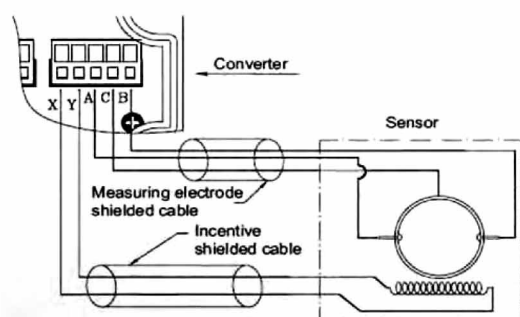
- Various liner can be selected that satisfies most industrial applications
- Flow Velocity range:0-12 m/s, with good results for low flow applications
- It comes any flanges such as ,ANSI, DIN, JIS... Etc
- Protection class: IP68 is available, and the sensor can sink into the water
- PFA Liner suitable in vacuum tube
- High accuracy of +/-0.5% of reading(or+/-0.2% of reading)
- With Forward/Reverse flowrate measure function

- Liner : Hard Rubber(40-2000 mm)
Neoprene(40-2000 mm)
PFA(10-2000 mm)
PTFE(10-2000 mm)
- Protection : IP 67
IP 68
- Conductivity : to be more then 5 uS/cm
- Explosion Proof : Exd(ib)ibqIIBT5
(with WL300 /WL500 /WL500S-Heat Meter)
- Electrode & Grounding : Stainless Steel 316L
Hastelloy B
Hastelloy C
Titanium
Tantalum
Platinum
Tungsten Carbide

外觀尺寸 Dimensions



感測器信號連接 Sensor signal connection



- Cable Entry : 2 X P G11, 1/2 NPT (Option)
- Ambient Temperature : -25 to +60 Deg. C
- Process Connection : Flange
- Flanges Type : JIS 10K / JIS 20K / JIS 40K
ANSI 150# / ANSI 300# / ANSI 600#
DIN PN 10 / PN 16 / PN25 / PN 40
- Rating : 3 to 30 VDC, 20mA Max.
- Grounding Resistance : Must be less then 10Ω
- Accuracy : +/-0.5% of reading (Velocity>=0.5 m/s)
+/-0.001 m/s (Velocity < 0.5 m/s)
+/-0.2% of reading
- Temperature : -10~+60°C (Hard Rubber)
-20~+80°C (Neoprene)
-40~+180°C (PFA)
-40~+180°C (PTFE)
- Max. Pressure : 2600 Kg/cm²

Model Selection Guide

TCS6300 EL1000 Series										
Example: TCS6300 EL1000-A0050-AB2A1-010-A										
TCS6300 EL1000-	X	XXXX-	X	X	X	X	X-	XXX-	X	Description
Liner	A									Neoprene (40 ~ 2000mm, 1-1/2"~80")
	B									Hard rubber (40 ~2000mm, 1-1/2" ~80")
	C									PTFE (10 ~2000mm,3/8"~80")
	D									PFA (10~2000mm,3/8"~80")
Size	6 ~ 2000									6 ~ 2000mm
Electrode Material	-A									Stainless Steel 316L
	-B									Titanium
	-C									Has. B
	-D									Has. C
	-E									Tantalum
	-F									Platinum
	-G									Tungsten Carbide
	-H									Others
Connection	A									PN10
	B									PN16
	C									PN25
	D									PN40
	E									ANSI 150 #
	F									ANSI 300 #
	G									ANSI 600 #
	H									JIS 10K
	I									JIS 20K
	J									JIS 40K
	K									Others
Grounding	1									None
	2									Grounding Electrode(3 Electrode)
	3									Grounding Ring(S.S.316)
	4									Grounding & Protection Ring(S.S.316)
Protection	A									IP 67
	B									IP 68
Flange & Housing	1-									Carbon Steel (standard)
	2-									S.S.304 Flange
	3-									S.S.316 Flange
	4-									S.S.304 Flange & Housing
	5-									S.S.316 Flange & Housing
Installation & Cable length	NNN									Compact version
	010~300									Separate version, Cable 10M ~ 300M
Option	-A									None
	-B									Explosion Proof,Exd(ib)IIBT5(with AMC3000/AMC3100 only)
	-C									Pressure higher then standard
	-D									Max. Temp. higher then 180 °C

特點 Features

- Three line LCD display for Flow rate/Totalizer
- Accuracy of +/-0.5% of reading(or+/-0.2% of reading)
- Bi-directional flow measurement, current and pulse output
- 4-20mA auxiliary Input include 4 digit display
- MODBUS/HART communication



主要規格 Specifications

- Excitation : Square wave
- Display : clear backlighted LCD display, instant , accumulation
Line 1 : 11 digit totalizer for forward flow
11 digit totalizer for reverse flow
11 digit totalizer for difference
Line 2 : 5 digit flowrate / Velocity / % / mA / HZ
Line 3 : Parameter / Query / Clr tot / Query LOG
Alarm, Guidance
Unit : M³/H , L/H , Kg/H , T/H , L/min
M³/min , GPH , GPM
- Accuracy : +/-0.5% of reading (Velocity >= 0.5 m/s)
+/-0.002 m/s (Velocity < 0.5 m/s)
(or+/-0.2% of reading)
- Repeatability : +/-0.1% of reading
- Current Output : 4-20 mA (Isolated)
Load : Max. 800Ω
- Pulse output : Open collector
Rating : DC3~30V, 20mA Max.
- Pulse Rate : (1)Scale pulse, (Pulse/M³, Pulse/L, Other)
(2)Frequency, 0-5000 Hz
- Pulse output : transistor collector open output with
potoelectric isolation;pulse
equivalent: 0.0001-10m³/cp
- Alarms : High/Low with open collector output
Rating : DC3~30V, 20mA Max.
- Communication : RS 485(MODBUS Protocol)
HART signal
- Data Storage : Operation parameters and totalization
figures are stored by EEPROM for
more then 15 years
- Keyboard : 4 keys from internal for programming
and display control.
4 keys from remote control for
programming and display control.
- Low Flow Cutoff : 0 to 9.9 %
- Damping : 0 to 99 Second
- Density Setting : 0.1 to 9.99 g/cm²
- Self Diagnosis : The following error message is
indicated when applicable
- Coil fail
- Power fail
- Output overranged
- Internal error
- Overflow
- Empty pipe
- Cable Entry : 2-M X 1.5, 1/2 NPT (Option)
- Protection Class : IP 67
- Ambient Temperature : -25 to +65 C
- Material : Aluminum Alloy
- Power Supply : AC90-260V, 45/63 Hz, DC8-36V,
internal lighting protection
- Power Consumption : < 10VA
- Mounting : Wall suspension type

MODEL SELECTION GUIDE

TCS6300 WL500 SERIES				
Example:WL500-AC-1-R				
WL500-	XX-	XX-	XX	Description
Power supply	AC-			90-260 Vac, 50/60 Hz
	DC-			24Vdc, +/-10%
Mounting		1-		Compact with Sensor
		2-		Separate, wall mounting
		3-		Separate, 2" mounting bracket
Communication		R		RS 485(MODBUS Protocol)
		H		HART signal